

SS3000 Series

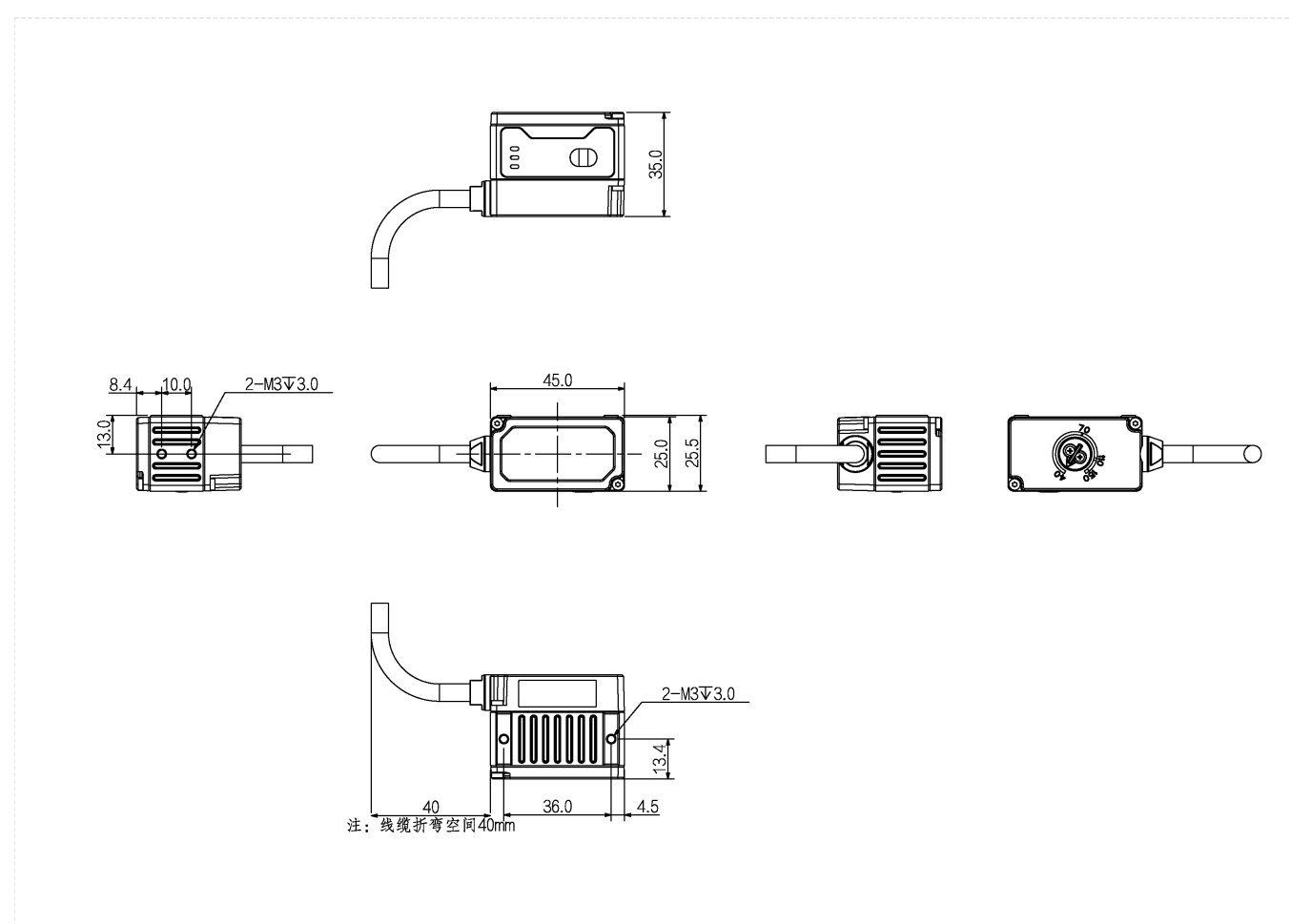
SS3016PMG-07H-RGF01E



Features

- Ultra-compact body design, can adapt to a variety of narrow installation space, and perfect integration with the machine equipment;
- Flexible and convenient manual focusing mode, which can cope with various close-range application scenarios;
- 100m industrial Ethernet interface, IP65 protection grade;
- Cross-platform Web access, guided configuration process, more convenient equipment debugging;
- Rich IO interface, Ethernet, RS232, GPIO interface, supporting multiple communication protocols;
- Built-in various easy-to-use operator tools can quickly realize various detection such as presence/absence, positive/negative, measurement, identification, etc.

Dimensions (mm)



Specification

	Model	SS3016PMG-07H-RGF01E
Basic	Resolution	1440×1080
	Max. Frame rate	60fps
	Shutter Mode	Global
	Mono/Color	Mono
	Trigger Mode	Internal Trigger/External Trigger/Ethernet/Serial/Industrial Ethernet.
	Software	EasyVS, Web
	Certifications	CE, KC, UKCA, UL
	Function	Location Tools: PatternMatch AI Tools: AI classification Exist Tools: FindLine、FindCircle、 BlobExist Count Tools: BlobCount Measure Tools: Grayscale area、 Contrast、 Brightness、 EdgeWidthTool Detection Tools: ContourCompare Recognition Tools: DataCode、 BarCode、 OCR Logic Tools: LogicCheck、 ConditionCheck、 Mathematical、 StringComparison
	Focal Length	7 mm
	Focus Control	Manual control
Light Source Type	Red polarization	
Performance	Working Distance	40 mm - 150 mm
	Field of View (FOV)	30 mm × 22 mm - 111 mm × 83 mm
Port	Connector	Industrial-grade M12 connectors are Ethernet and GPIO interfaces
	Network Port	100M Ethernet
	GPIO Interface	1x RS232 interface, 1x Opto-isolated input, 1x Opto-isolated output, 1 configurable input and output
	Communication Mode	RS232, Ethernet
	Communication protocol	TCP Client, TCP Server, UDP, FTP, RS232, Profinet、 Modbus TCP、 EtherNet/IP
	LED Indicator	Power indicator, Network indicator, Result indicator
Power	Power Supply	Support 9~26VDC, 1A input, suitable for industrial environment
	Power Consumption	<8.8W
Structure	Product Dimensions	45.0mm × 35.0mm × 25.5mm(Without cable)
	Net Weight	< 110 g
	Protection	IP65
	Casing Material	Aluminum alloy + Front cover
Environment	Operating Temperature	-20°C ~ +50°C
	Operating Humidity	20% ~ 95%, Non condensing
	Storage Temperature	-30°C ~ +70°C

Connector Pin-out

12 pin-out on camera:

Pin	Signal	Description	Cable Color
1	Power	Power	Red
2	POWER_GND	Power GND	Black
3	OPT_OUT0	Opto-isolated output	Brown
4	OPT_GND	Opto-isolated GND	Purple white
5	OPT_IN0	Opto-isolated input	Yellow
6	GPIO	Configurable IO	Blue
7	MD1_P	RJ45 port	Green
8	MD1_N	RJ45 port	Green white
9	MD0_P	RJ45 port	Orange
10	MD0_N	RJ45 port	Orange white
11	RS232_RXD	Received data	Purple
12	RS232_TXD	Transmit data	Grey

