

# Power Cable & IO Cable

## C01-IO-12PIN-3M

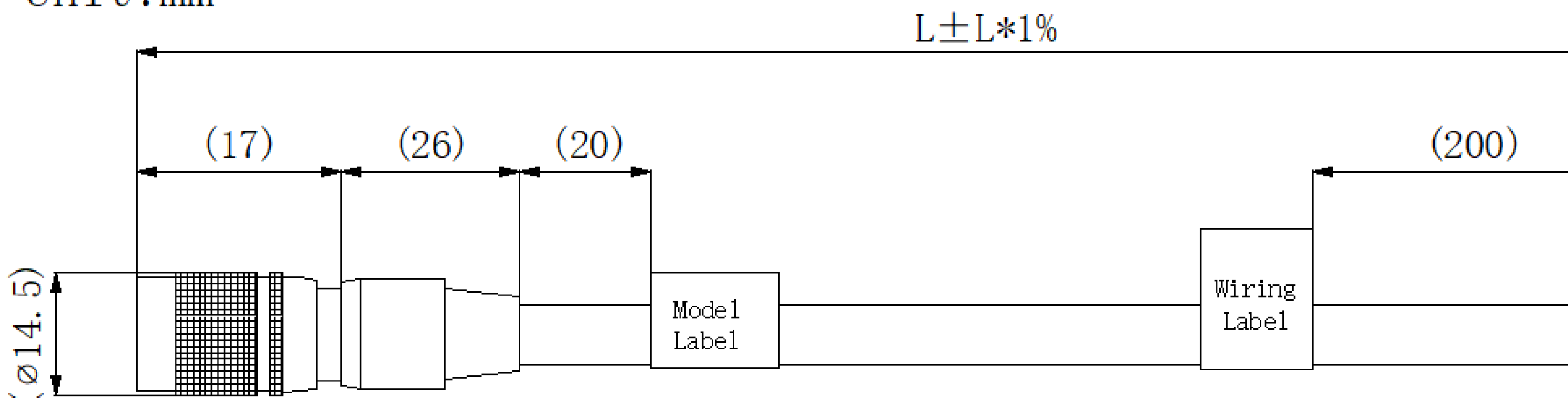


### Features

- 1、 The 12pin Power&I/O Cable can be used to power the camera, I/O signal wiring
- 2、 Aviation head connector, reliable connection camera
- 3、 With shielding layer design, to ensure anti-external electromagnetic interference
- 4、 Specific good wear resistance, cold resistance, flame retardant
- 5、 Conform to RoHS 2.0

### Dimensions (mm)

Unit:mm



## Specification

	Model	C01-IO-12PIN-3M
Basic	Model	C01-IO-12PIN-3M
	Category	12Pin Power&I/O Static Cable
	Appearance Color	Black
	Length	3m
	End A Connector	12-pin , Female
	End B Connector	Open
Structure	Cable Structure	26AWG*6P+P+B
	Cable Diameter	7.0mm
	Cable Sheath	PVC
	Connector Durability	≥750 cycles
	Min Bending Radius	75mm
	Applicable Scenes	Static scenes
	Packaging Method	Individual package bag
Hardware	Max Operating Voltage	30 VDC
	Certifications	RoHS2.0
Environment	Operating Temperature	-20°C ~ 80°C