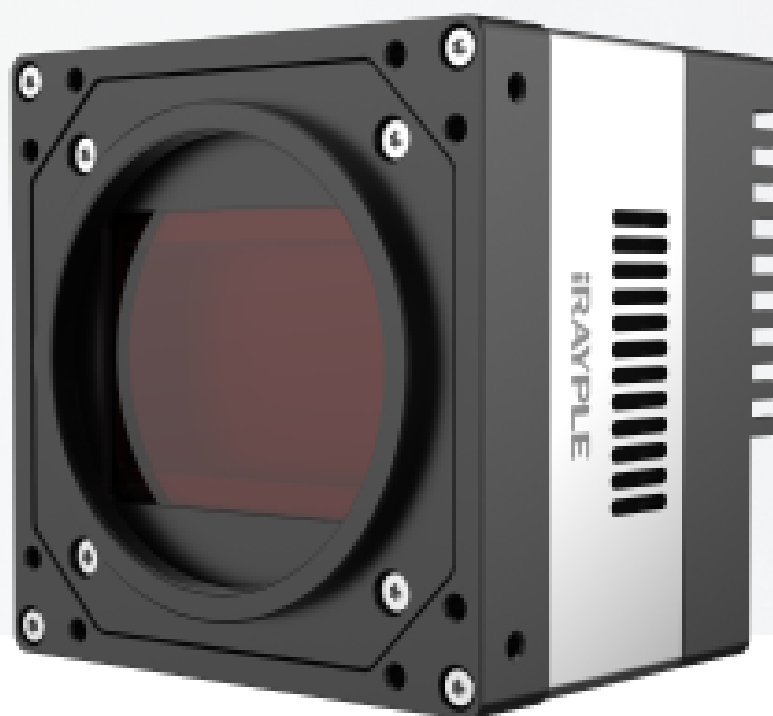


Large Area Scan Series

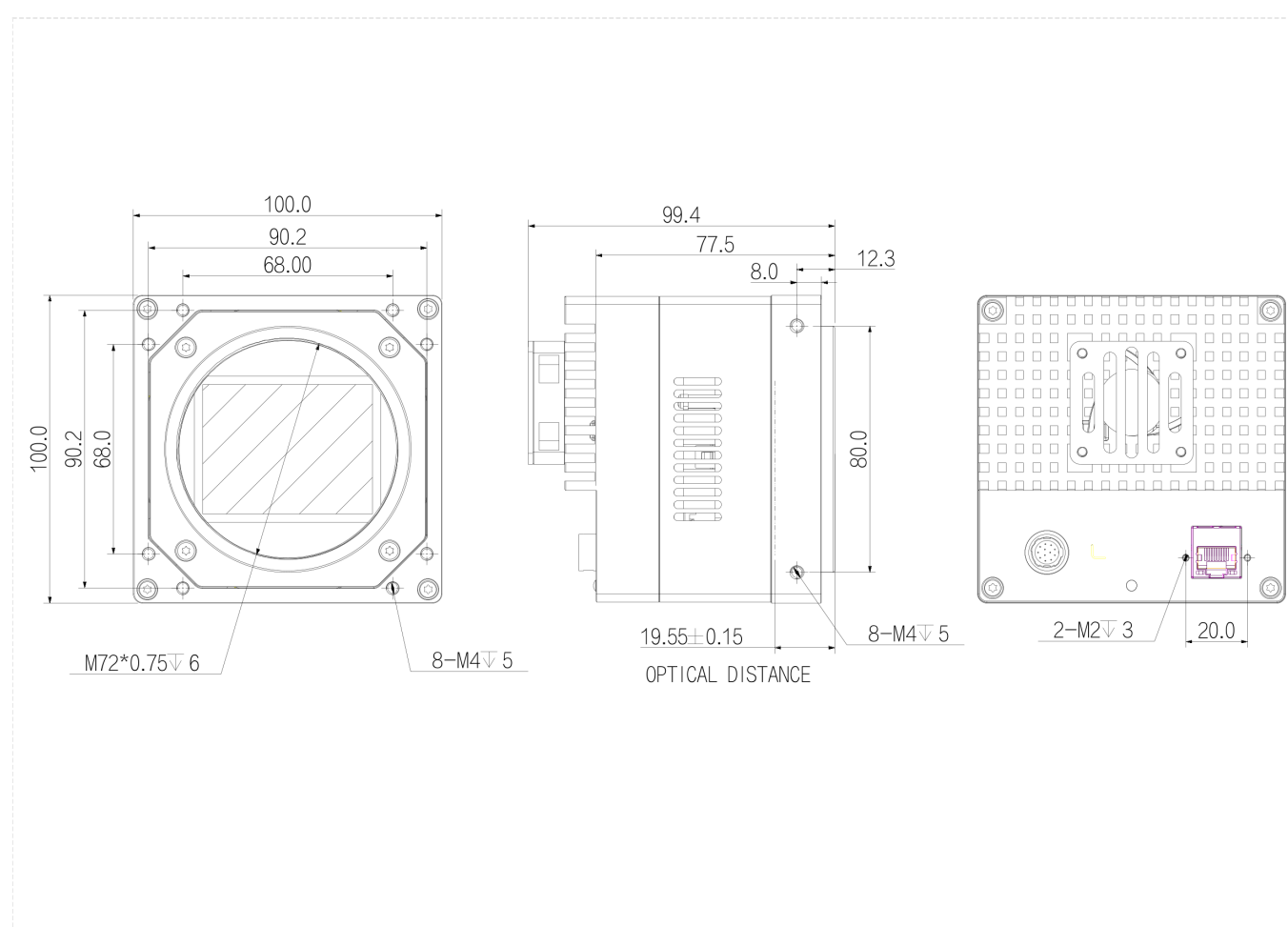
AX7Q27MT470E



Features

- 10GigE interface, provides up to 10Gbps effective bandwidth;
- A patented flatness mediation scheme to eliminate area defocusing;
- Excellent heat dissipation design, precise temperature control and constant temperature maintenance;
- 1GB on-board cache for data transmission or image resend;
- Support Software Trigger/Hardware Trigger/Free Run mode;
- Support user-defined ROI, horizontal mirror and vertical mirror;
- Support ISP functions including Auto Exposure/Auto Gain/Auto BlackLevel/Gamma Correction/LUT etc.;
- Mono cameras support auto contrast adjustment;
- Support for FFC function to provide more uniform picture quality;
- Support fan speed adaptive function for setting the target temperature of the sensor;

Dimensions (mm)



Specification

	Model	AX7Q27MT470E
Basic	Sensor	GMAX32152
	Image Sensor	53.0 mm × 29.4 mm CMOS
	Shutter	Global
	Resolution	16544 × 9200
	Frame Rate	7.76 fps
	Bit Depth	12
	Mono/Color	Mono
	Pixel Size	3.2 μm × 3.2 μm
Image	Pixel	152 MP
	S/N Ratio	> 39.6 dB
	Dynamic Range	67.3 dB
	Image Format	Mono8/10/10Packed/12/12Packed
	Binning	Support
	ROI	Support
	X Flip	Support
	Y Flip	Support
	Gain	1 ~ 32
	Gamma	From 0 to 4, support LUT
	Exposure Time	38 μs ~ 15 s
	Trigger Mode	Software Trigger/Hardware Trigger/Free Run Mode
	SPC	Support
Performance	User Setting	Support two sets of user-defined configurations
	Image Buffer	1GB
Port	Port	10GigE
	GPIO Interface	3x Opto-isolated input, 3x Opto-isolated output
	Lens Mount	M72 × 0.75
Power	Power Supply	24 V
	Power Consumption	20 W
Structure	Product Dimensions	100 mm × 100 mm × 99.4 mm (not including rear case connector)
	Net Weight	990 g
Environment	Storage Temperature	-30°C ~ +80°C
	Operating Temperature	0°C ~ +50°C