

Large Area Scan Series

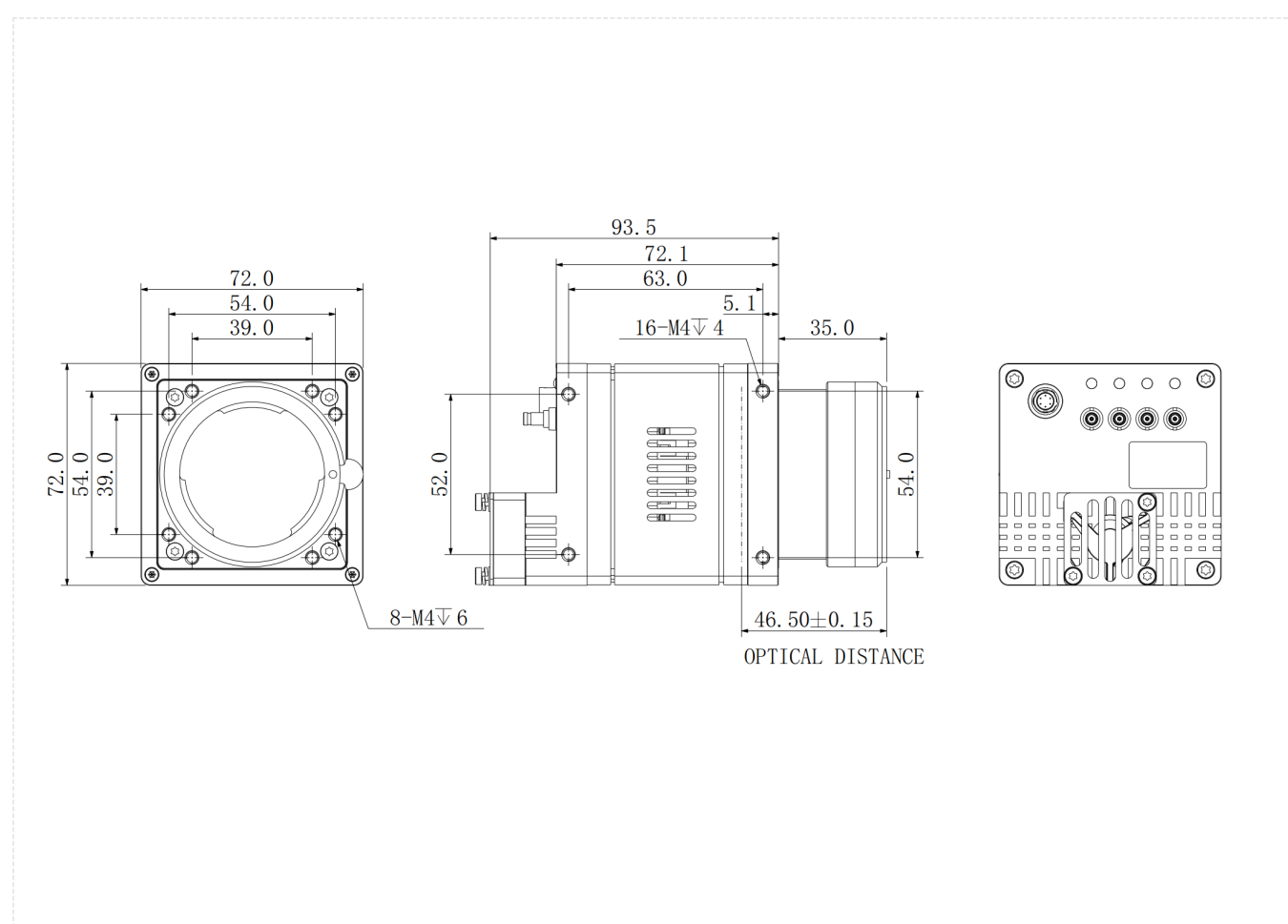
AX5A22MX060E



Features

- CXP-6 interface, 4 x 6.25Gbps theoretical transfer bandwidth;
- Support hardware trigger/free run mode;
- Support pixel-by-pixel FFC function;
- Support multiple image data formats output, ROI and etc. ;
- Support PoCXP and DC 24V power supply;
- Conforms to CoaXPress protocol and GenICam standard;
- Conform to CE, FCC, KC and RoHS;

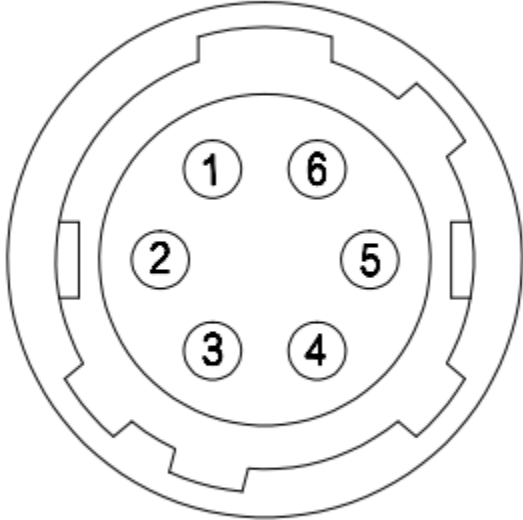
Dimensions (mm)



Specification

	Model	AX5A22MX060E
Basic	Sensor	CMV12000
	Image Sensor	22.5 mm × 16.9 mm CMOS
	Shutter	Global
	Resolution	4096 × 3072
	Frame Rate	188 fps
	Bit Depth	10 bit
	Mono/Color	Mono
	Pixel Size	5.5 μm × 5.5 μm
Image	Pixel	12MP
	S/N Ratio	41.3dB
	Dynamic Range	60dB
	Image Format	Mono8/Mono10/Mono12
	ROI	Support
	X Flip	Support
	Y Flip	Support
	Gain	1~100
	Exposure Time	50μs~5s
	Trigger Mode	Software Trigger/Hardware Trigger/Free Run Mode
	SPC	Support
Performance	User Setting	Support two sets of user-defined configurations
	Image Buffer	2GB data cache
Port	Port	CXP-6
	GPIO Interface	3x configurable input and output
	Lens Mount	F-Mount
Power	Power Supply	DC24V power supply via 6-pin Hirose interface
	Power Consumption	24V≈15W
Structure	Product Dimensions	72mm*72mm*72mm(not including rear case connector)
	Net Weight	720 g
Environment	Storage Temperature	- 30°C~+80°C
	Operating Temperature	- 30°C~+50°C

Connector Pin-out



Pin	Signal	Description
1	Power	Power supply
2	Line0	Dual-direction configurable non-isolated I/O
3	Line1	Dual-direction configurable non-isolated I/O
4	Line2	Dual-direction configurable non-isolated I/O
5	Signal_GND	Signal GND
6	GND	Power GND

Spectrogram

