

Large Area Scan Series

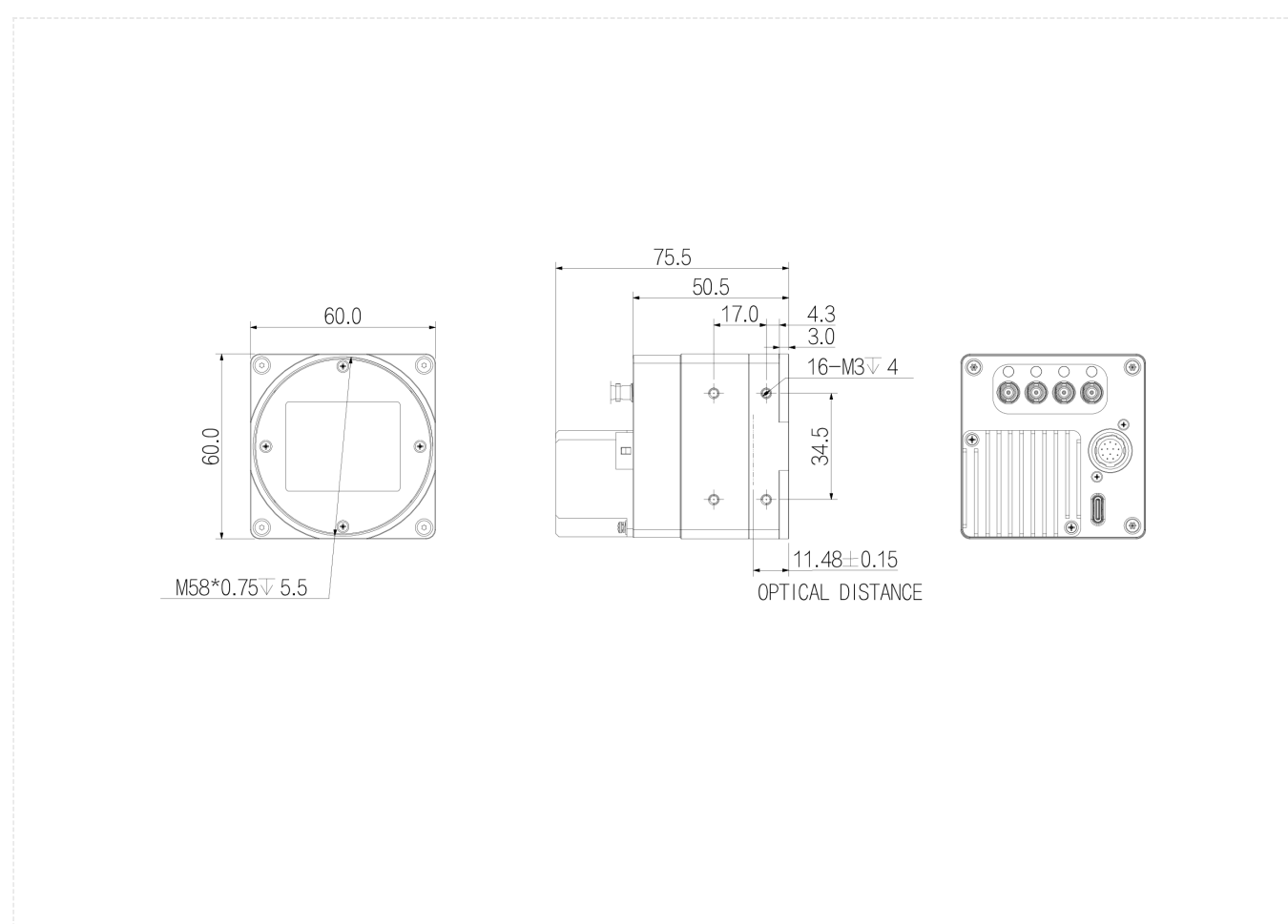
AX0657MP4E-150



Features

- CXP-12 interface, 4 x 12.5Gbps theoretical transfer bandwidth;
- Support hardware trigger/free run mode;
- Support multiple image data formats output, ROI and etc. ;
- Support PoCXP and DC 24V power supply;
- Conforms to CoaXPress protocol and GenICam standard;
- Conform to CE, FCC, KC and RoHS;

Dimensions (mm)



Specification

	Model	AX0657MP4E-150
Basic	Sensor	GMAX3265
	Image Sensor	29.9 mm × 22.4 mm CMOS
	Shutter	Global
	Resolution	9344 × 7000
	Frame Rate	71 fps
	Bit Depth	10
	Mono/Color	Mono
	Pixel Size	3.2 μm × 3.2 μm
Image	Pixel	65 MP
	S/N Ratio	40 dB
	Dynamic Range	66 dB
	Image Format	Mono8/10/12
	Binning	Support
	ROI	Support
	X Flip	Support
	Y Flip	Support
	Gain	Analog gain: 1.0x ~ 4.8x, Digital gain: 1x ~ 32x
	Gamma	From 0 to 4, support LUT
	Exposure Time	27 μs ~ 15 s
	Trigger Mode	Software Trigger/Hardware Trigger/Free Run Mode
	SPC	Support
Performance	User Setting	Support two sets of user-defined configurations
Port	Port	CXP-12
	GPIO Interface	3x Opto-isolated input, 3x Opto-isolated output
	Lens Mount	M58 × 0.75
Power	Power Supply	DC 24V power supply via 12 Hirose interface , support PoCXP
	Power Consumption	13 W
Structure	Product Dimensions	60 mm × 60 mm × 50.5 mm (not including rear case connector)
	Net Weight	328 g
Environment	Storage Temperature	-30°C ~ +80°C
	Operating Temperature	0°C ~ +40°C