

Large Area Scan Series

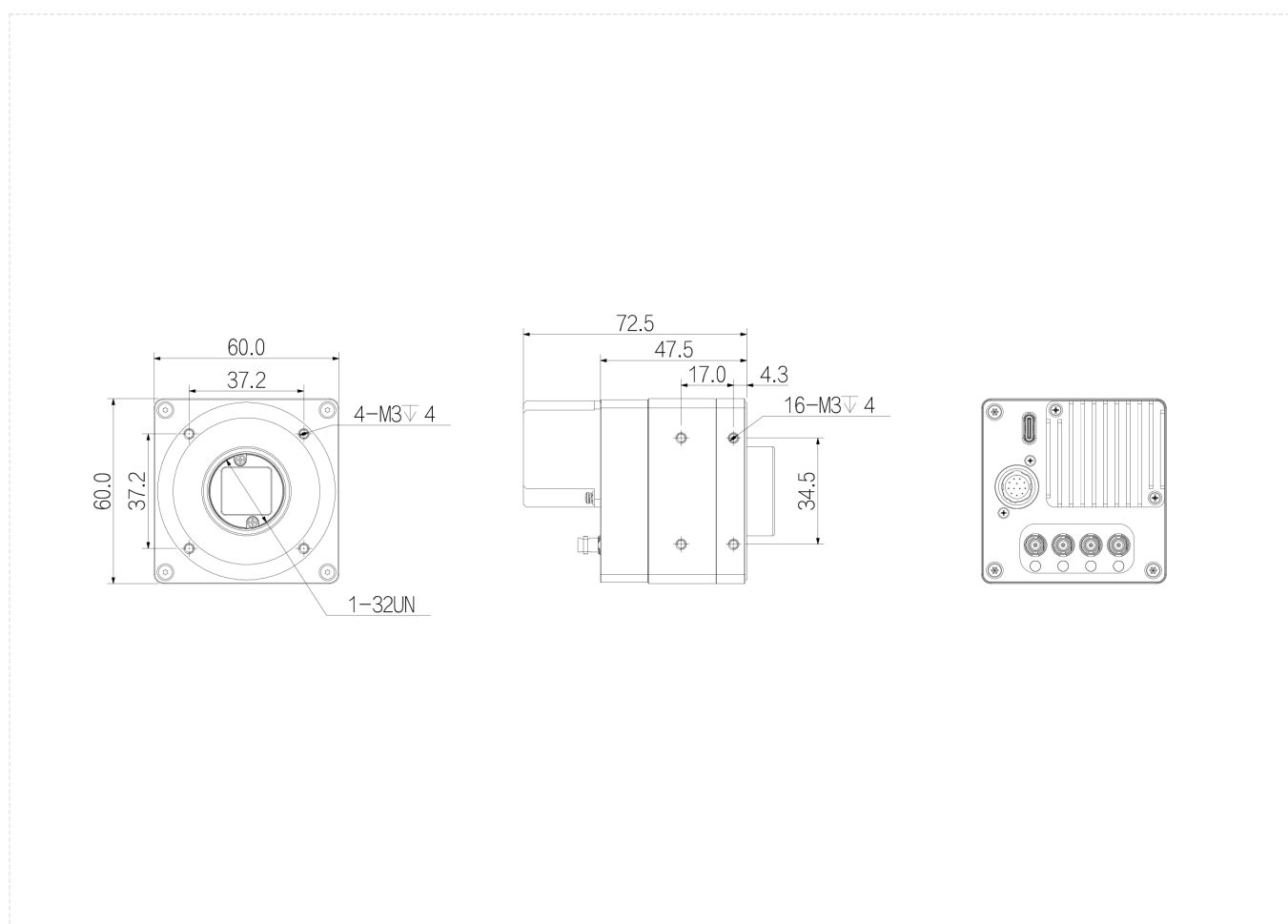
AX0257MP4E-100



Features

- CXP-12 interface, 4 x 12.5Gbps theoretical transfer bandwidth;
- Support hardware trigger/free run mode;
- Support multiple image data formats output, ROI and etc. ;
- Support PoCXP and DC 24V power supply;
- Conforms to CoaXPress protocol and GenICam standard;
- Conform to CE, FCC, KC and RoHS;

Dimensions (mm)



Specification

	Model	AX0257MP4E-100
Basic	Sensor	GMAX0505
	Image Sensor	1.1"CMOS
	Shutter	Global
	Resolution	5120 × 5120
	Frame Rate	150 fps
	Bit Depth	10
	Mono/Color	Mono
	Pixel Size	2.5 μm × 2.5 μm
Image	Pixel	25 MP
	S/N Ratio	36 dB
	Dynamic Range	63 dB
	Image Format	Mono8/10/12
	Binning	Support
	ROI	Support
	X Flip	Support
	Y Flip	Support
	Gain	Analog gain: 0.4x ~ 6.6x, Digital gain: 1x ~ 32x
	Gamma	From 0 to 4, support LUT
	Exposure Time	2 μs ~ 15 s
	Trigger Mode	Software Trigger/Hardware Trigger/Free Run Mode
	SPC	Support
Performance	User Setting	Support two sets of user-defined configurations
Port	Port	CXP-12
	GPIO Interface	3x Opto-isolated input, 3x Opto-isolated output
	Lens Mount	C-mount
Power	Power Supply	DC 24V power supply via 12 Hirose interface , support PoCXP
	Power Consumption	9.8 W
Structure	Product Dimensions	60 mm × 60 mm × 47.5 mm (not including rear case connector)
	Net Weight	333 g
Environment	Storage Temperature	-30°C ~ +80°C
	Operating Temperature	0°C ~ +40°C