

Large Area Scan Series

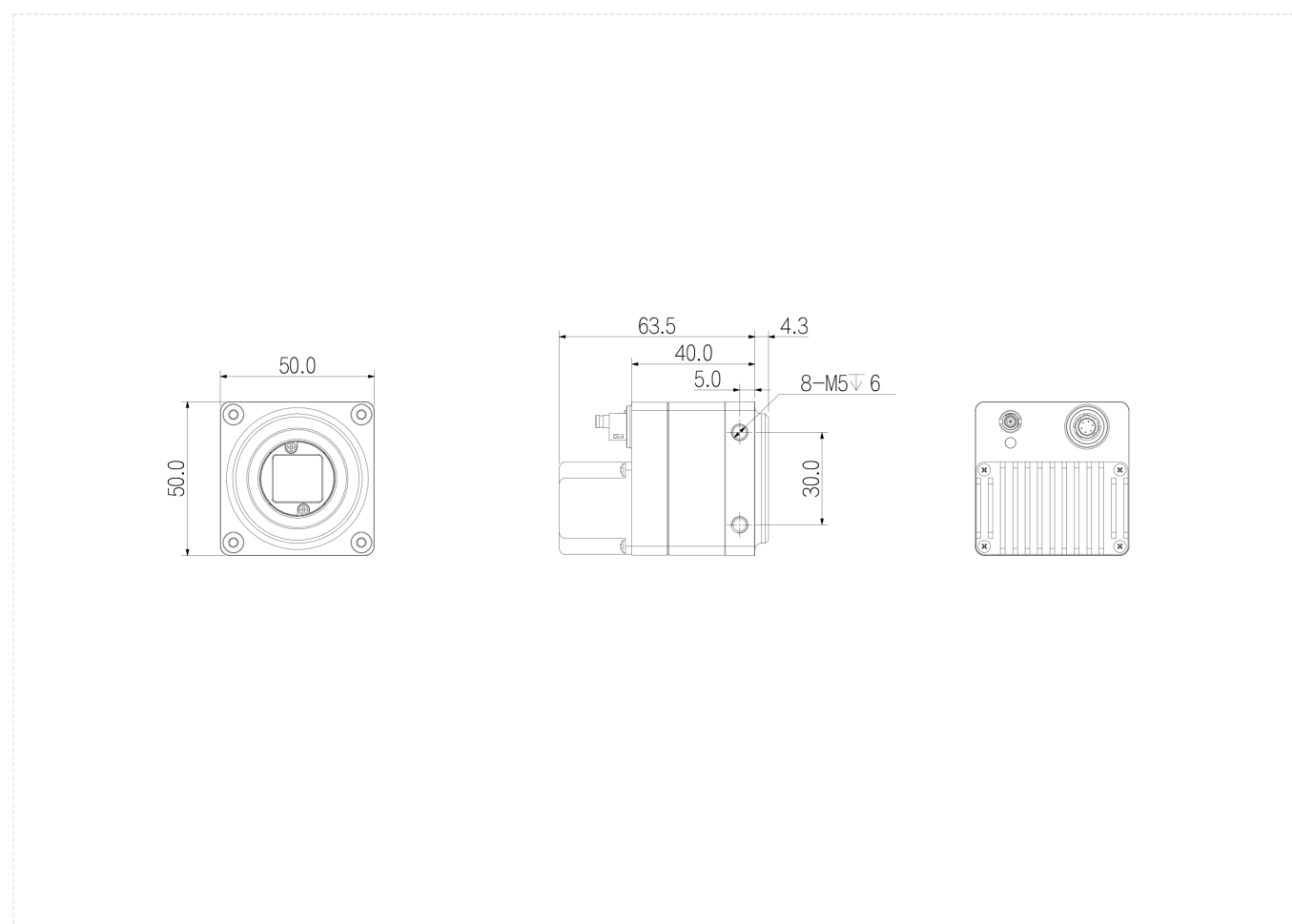
AX0127MP1E-000



Features

- CXP-12 interface, 12.5Gbps theoretical transfer bandwidth;
- Support hardware trigger/free run mode;
- Support multiple image data formats output, ROI and etc. ;
- Support PoCXP and DC 24V power supply;
- Conforms to CoaXPress protocol and GenICam standard;
- Conform to CE, FCC, KC and RoHS;

Dimensions (mm)



Specification

	Model	AX0127MP1E-000
Basic	Sensor	GMAX3412
	Image Sensor	1.1"CMOS
	Shutter	Global
	Resolution	4096 × 3072
	Frame Rate	94 fps
	Bit Depth	10
	Mono/Color	Mono
	Pixel Size	3.4 μm × 3.4 μm
Image	Pixel	12 MP
	Dynamic Range	59.7 dB
	Image Format	Mono8/10/12
	Binning	Support
	ROI	Support
	X Flip	Support
	Y Flip	Support
	Gain	Analog gain: 1x ~ 2x, Digital gain: 1x ~ 32x
	Gamma	From 0 to 4, support LUT
	Exposure Time	7 μs ~ 15 s
	Trigger Mode	Software Trigger/Hardware Trigger/Free Run Mode
	SPC	Support
Performance	User Setting	Support two sets of user-defined configurations
Port	Port	CXP-12
	GPIO Interface	1× Opto-isolated input, 1× Opto-isolated output, 1× configurable input and output
	Lens Mount	C-mount
Power	Power Supply	DC 24V power supply via 6 Hirose interface , support PoCXP
	Power Consumption	8.2 W
Structure	Product Dimensions	60 mm × 60 mm × 40 mm (not including rear case connector)
	Net Weight	239 g
Environment	Storage Temperature	-30°C ~ +80°C
	Operating Temperature	0°C ~ +40°C