

A Series

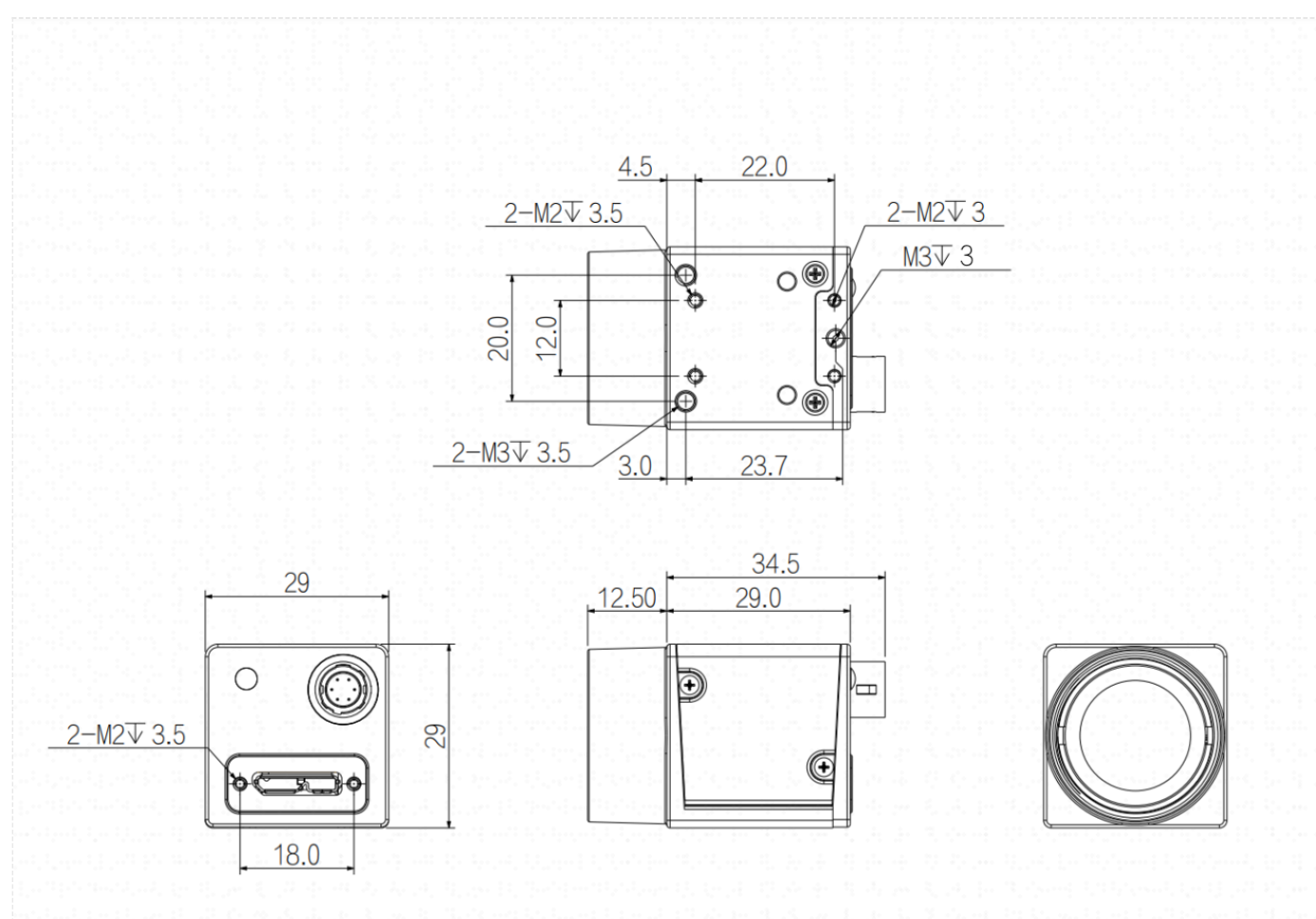
A7040CU000E



Features

- USB3.0 interface, 5Gbps theoretical transfer bandwidth, power supply via USB interface ;
- 128MB on-board cache for data transmission or image resend;
- Support Software Trigger/Hardware Trigger/Software & Hardware Hybrid Trigger/Free Run Mode;
- Support ISP functions including Sharpness/Denoising/Gamma/LUT/BlackLevel Correction/TargetBrightness/Contrast etc.;
- Color cameras support interpolation, white balance, color conversion matrix, chroma, saturation, etc. ;
- Support multiple image data formats output/ROI/Mirror, etc. ;
- Compatible with USB3.0 Vision protocol and GenICam standard;
- Comform to CE, FCC, RoHS;

Dimensions (mm)



Specification

	Model	A7040CU000E
Basic	Sensor	IMX287
	Image Sensor	1/2.9" CMOS
	Shutter	Global
	Resolution	720 × 540
	Frame Rate	437 fps
	Bit Depth	10
	Mono/Color	Color
	Pixel Size	6.9 μm × 6.9 μm
Image	Pixel	0.4MP
	S/N Ratio	>38dB
	Dynamic Range	>70dB
	Image Format	BayerRG8/10/10Packed;BayerGB8/10/10Packed
	ROI	Support
	X Flip	Support
	Y Flip	Support
	Gain	1~32
	White Balance	Automatic white balance
	Gamma	0~4
	Exposure Time	18μS~1S
	Trigger Mode	Software Trigger/Hardware Trigger/Free Run Mode
	SPC	Support
Performance	User Setting	Support two sets of user-defined configurations
	Image Buffer	64MB image cache , 64M data cache
Port	Port	USB3.0
	GPIO Interface	6 pin Hirose: 1x Opto-isolated input, 1x Opto-isolated output, 1 configurable input and output
	Lens Mount	C
Power	Power Supply	Power supply via USB connector /DC power supply by Hirose connector, with voltage range from 9V to 24V
	Power Consumption	≈3.2W
Structure	Product Dimensions	29mm×29mm×29mm (not including lens mount and rear case connector)
	Net Weight	60 g
Environment	Storage Temperature	-30°C~+80°C
	Operating Temperature	-30°C~+50°C

